



# In stock Sale

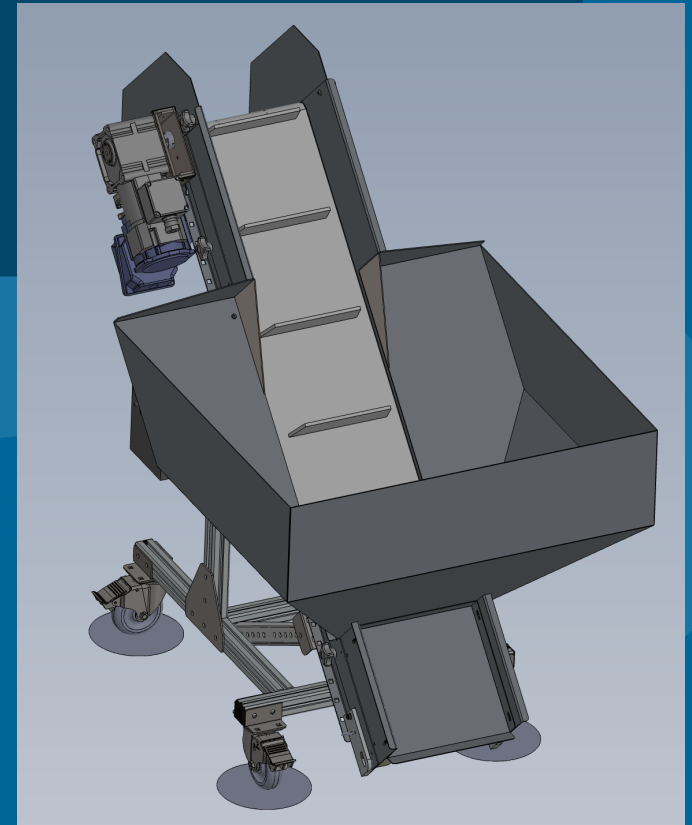
## 'Low Profile Stainless Steel Frame Hopper Conveyor'

Model: LPSS-48-110; 48" Long by 10" Wide Cleated Belt Hopper Conveyor

List Price \$6,070.00

**Discounted Price \$ 4,856.00**

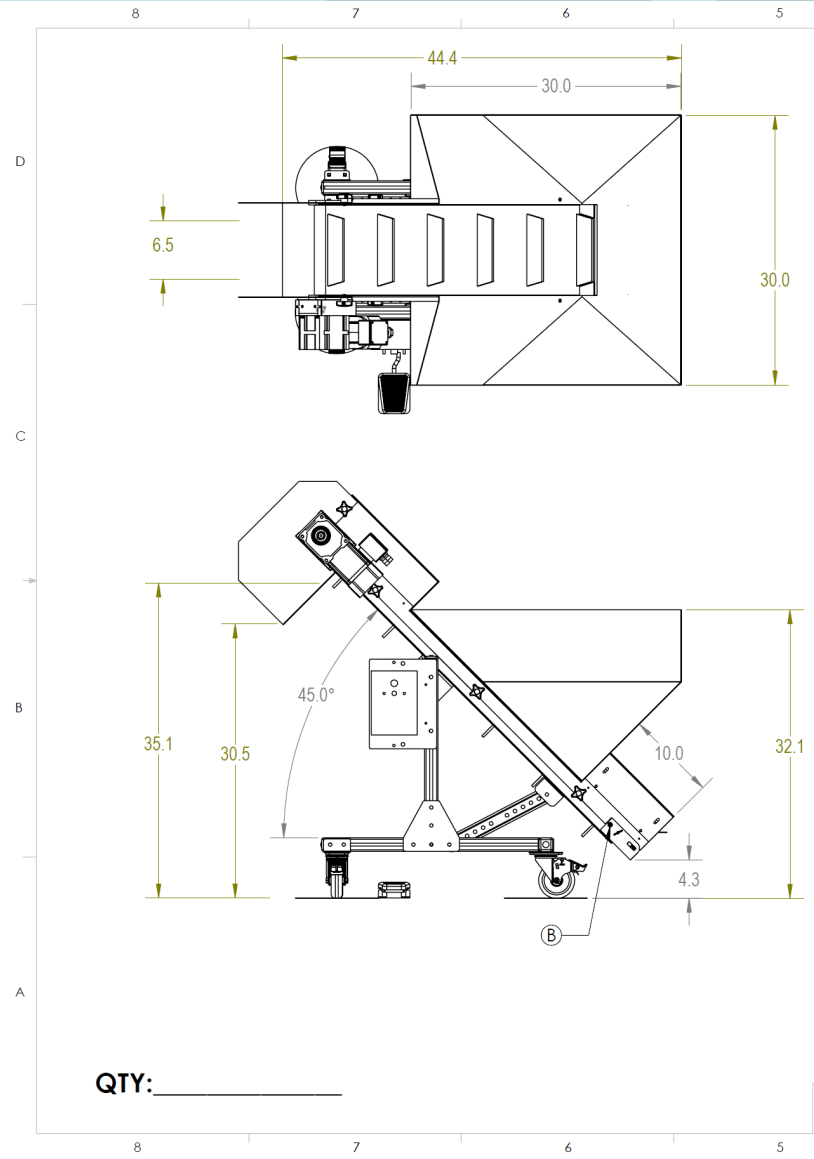
- LPSS Custom quick change stainless steel frame construction
- Includes white polyurethane, anti-static belt.
- 1-3/8" diameter pulleys.
- Ball bearings with dual seals.
- On/off switch with current overload protection included with AC package.
- 12' SJ 16/3 cord and plug.
- Five year limited warranty.



Call - (815) 337-3000

# MAC

## AUTOMATION CONCEPTS



REV	DESCRIPTION	ECR	DATE
A	Release		5/11/21
B	CHANGED SHOULDER BOLT DIAMETER FROM 1/4 TO 5/16	KMS	6/10/2021

MAC AUTOMATION CONCEPTS, INC. "DESIGN APPROVAL"  
 MANUFACTURING WILL NOT PROCEED UNTIL  
 RECEIPT OF CUSTOMER SIGNED APPROVAL.

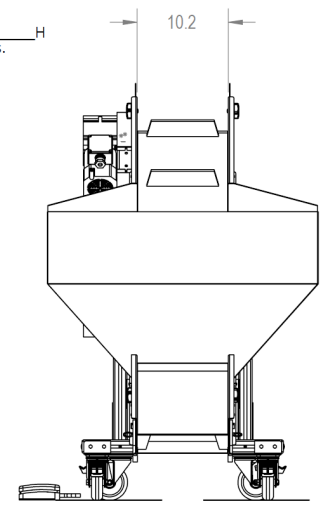
APPROVED AS IS \_\_\_ WITH CHANGES \_\_\_ REVISE & RESEND \_\_\_

DATE: \_\_\_\_\_ SIGNED: \_\_\_\_\_

INPUT VOLTAGE: 115 VAC 1 Ph AMPS: 5

NOTE: CUSTOMER MUST VERIFY ALL GIVEN DIMENSIONS  
 TO ENSURE PROPER SYSTEM LAYOUT. FAILURE TO  
 DO SO COULD RESULT IN DELAYS AS WELL AS ADDED  
 COSTS DUE TO REWORK.

ESTIMATED CRATE SIZE: L \_\_\_\_\_ W \_\_\_\_\_ H \_\_\_\_\_  
 ESTIMATED SHIPPING WEIGHT: \_\_\_\_\_ Lbs.



QTY: \_\_\_\_\_

THE INFORMATION CONTAINED IN THIS DRAWING IS THE SOLE PROPERTY OF  
 MOLDING AUTOMATION CONCEPTS INC. ANY REPRODUCTION IN PART OR AS  
 A WHOLE WITHOUT THE WRITTEN PERMISSION OF MOLDING AUTOMATION  
 CONCEPTS INC IS PROHIBITED.

UNLESS OTHERWISE SPECIFIED TOLERANCES ARE:		APPROVALS	DATE	<b>MOLDING AUTOMATION CONCEPTS</b> 1760 KILKENNY COURT, WOODSTOCK, IL 60098 (815)337-3000
INCH DIMENSIONS	mm DIMENSIONS	DRAWN	5/11/21	
XXX ± .005	XX ± .10	KMS	CHECKED	
XX ± .010	X ± .20		ENG APPR.	
X ± .020	ANGLES ± 1°			DESCRIPTION: ASSY_LPSS-04-10.BEYOND BROADWAY
ANGLES ± 1°				PART #: 45485001
MATERIAL				DWG. NO. 45485001-B
ASSY				SIZE MODEL DRAWING: REV
MATERIAL #				<b>B</b> CAD FILE: 45485001 B
N/A				SCALE: 1:12 A1605D#: 69697 SHEET 1 OF 3
FINISH				
N/A				
BREAK ALL SHARP EDGES		DO NOT SCALE DRAWING DO NOT MANUALLY UPDATE CAD GENERATED DRAWING		