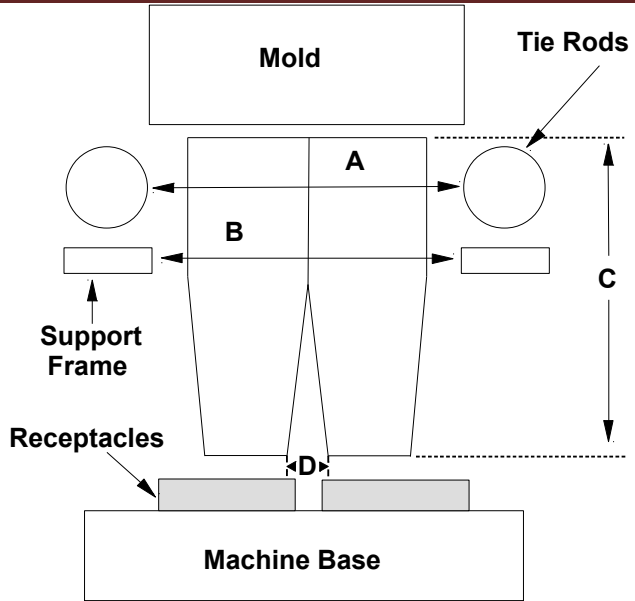
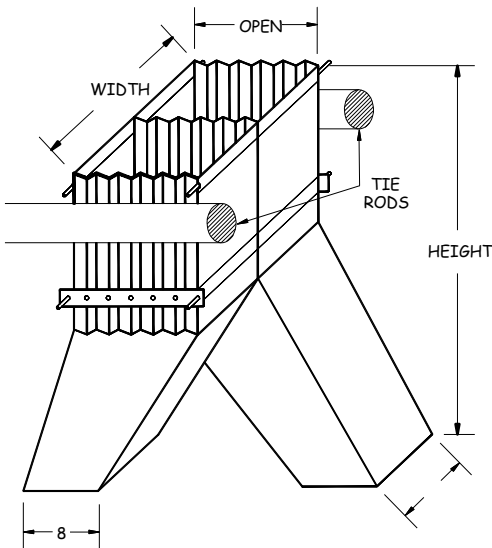


# Request For Quote -Walking Split Leg Chute

## Quote Information

1. Mold Opening (daylight): \_\_\_\_\_
2. (A) Width between Tie Rods: \_\_\_\_\_
3. (B) Width between Frame: \_\_\_\_\_
4. (C) Desired height of guideskirt: \_\_\_\_\_
5. (D) Split, 3" standard: \_\_\_\_\_
6. Do you require high temp material?  
(for parts over 180°)       Yes    No
7. Quantity: \_\_\_\_\_



**All dimensions must be completed for a Quote to be given.**

**Note:** All guideskirts come with mounting hardware. Standard color is Gray. Yellow can be requested at no extra charge. Please specify when ordering.

## Contact Information

Company Name \_\_\_\_\_  
 Contact Person \_\_\_\_\_  
 Address \_\_\_\_\_  
 \_\_\_\_\_  
 City, State, Zip \_\_\_\_\_  
 Phone ( ) - \_\_\_\_\_ ext: \_\_\_\_\_  
 Fax ( ) - \_\_\_\_\_  
 E-mail \_\_\_\_\_

**Please Fax to (815)337-3020 or  
E-mail to [sewing@macautomation.com](mailto:sewing@macautomation.com)**