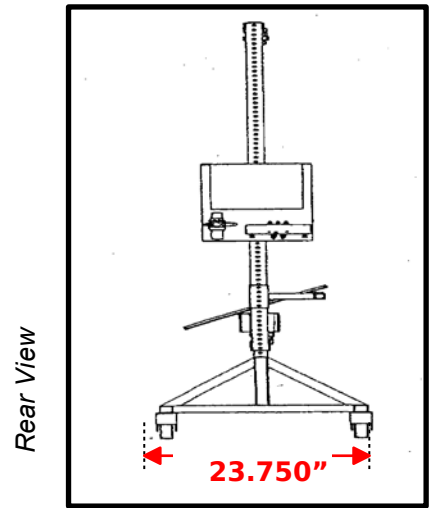
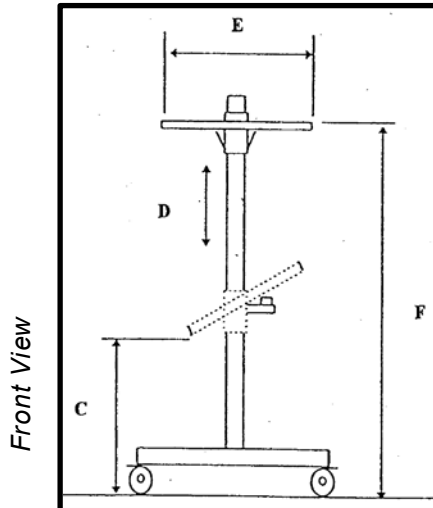
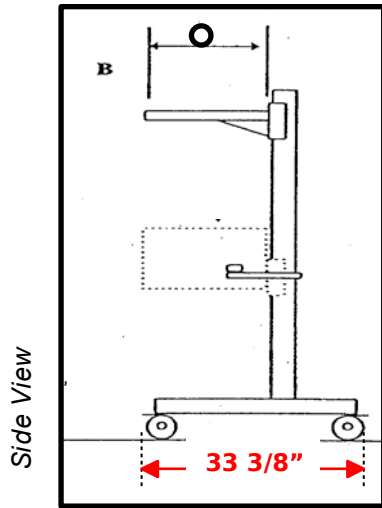


Quote Information



B - Platform Width:
 18" Other _____

C - Discharge Elevation: _____

D - Cylinder Stroke:
 60" 72" Other _____

E - Platform Length:
 18" Other _____

F - In-feed Elevation: _____

Frame Construction:
 Steel Aluminum

Control Signal Voltage to activate
up or down sequence:
 120 AC 24 DC Dry Contact

Needed weight capacity: _____

Safety Cage Required:
 Yes No

if yes, how many sides:
 1 2 3

What are dimensions required:
L: _____ W: _____ H: _____

**All dimensions must be completed
for a Quote to be given.**

Specification for Models VTP5 and VTP6

- Adjustable Stroke Height 60" or 72" standard.
- Operates on 115 VAC power source.
- Platform Stainless Steel 18"W x 18" L standard. (other sizes upon request)
- Adjustable speed control to provide smooth movement of platform.
- Instant stop strip on bottom of tray available.
- Air pressure required – 80PSI.
- Adjustable discharge and in-feed heights.

Contact Information

Company Name _____

Contact Person _____

Address _____

City, State, Zip _____

Phone _____ () _____ - _____ ext. _____

Fax _____ () _____ - _____

E-mail _____

**Please Fax to (815)337-3020 or
E-mail to sales@macautomation.com**