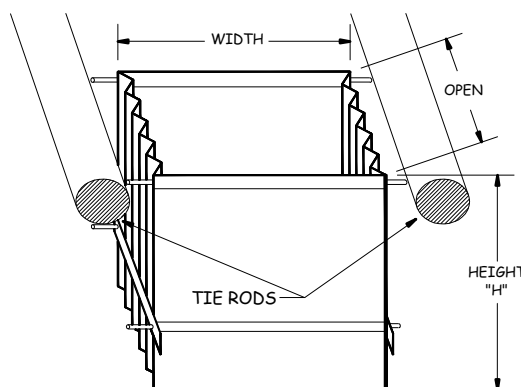
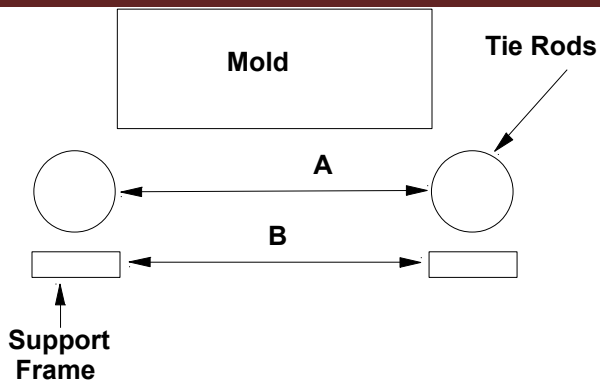


Quote Information

1. Mold Opening (daylight): _____
2. (A) Width between Tie Rods: _____
3. (B) Width between Frame: _____
4. (H) Desired height of guideskirt: _____
5. Do you require high temp material?
(for parts over 180°) Yes No
6. Quantity: _____

All dimensions must be completed for a Quote to be given.

Note: All guideskirts come with mounting hardware. Standard color is Gray. Yellow can be requested at no extra charge. Please specify when ordering.



Contact Information

Company Name _____

Contact Person _____

Address _____

City, State, Zip _____

Phone () - ext: _____

Fax () - _____

E-mail _____

Please Fax to (815)337-3020 or
E-mail to sewing@macautomation.com