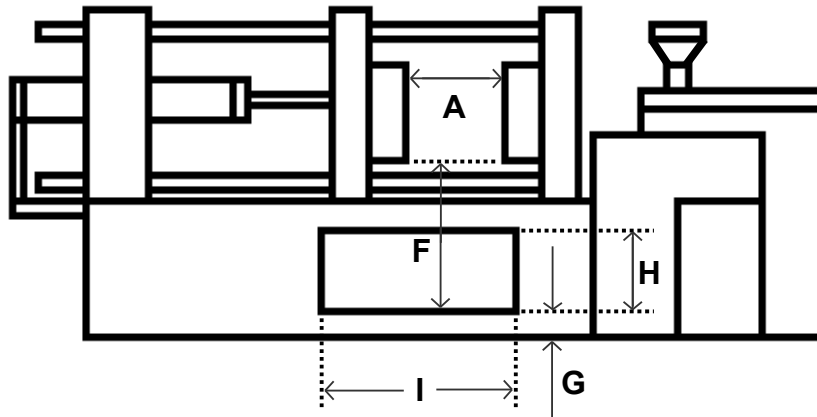
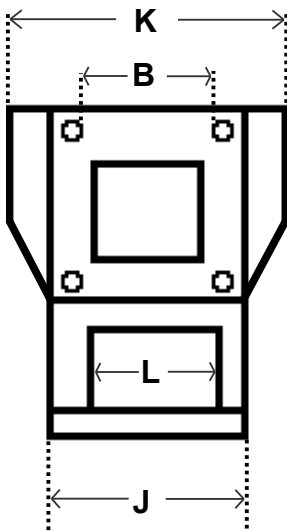


Quote Information

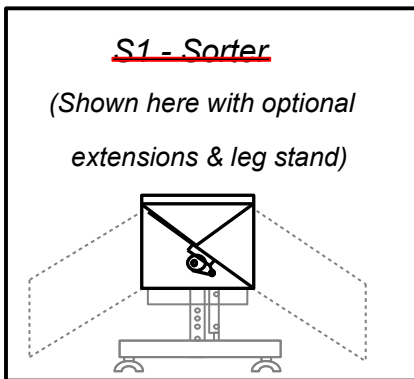


Press Dimensions:

Units of measure:

- inches
 feet

- A: _____
B: _____
F: _____
G: _____
H: _____
I: _____
J: _____
K: _____
L: _____



Will the S1-Sorter be discharging into a container? Yes No

If Yes: Length: _____" Width: _____" Height: _____"

If No, then what?: _____

Are there any obstructions?: Yes No

If Yes: Length: _____" Width: _____" Height: _____"

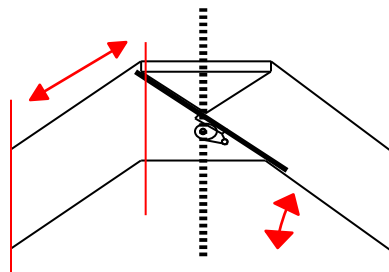
Position:

-Optional Extensions-

Desired Extension Length:

- 6" 12"
 18" Other _____"
 No Extensions

Custom charges my apply for lengths over 18"



-Angles (if extensions are chosen)-

Desired Angle:

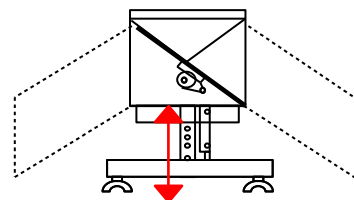
- 25°
 30°
 Other _____°

Custom charges my apply for angles over 30°

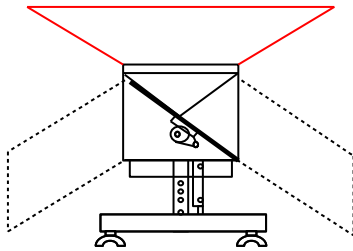
-Leg Stand-

Required Height from the Floor:

- 7" 7-12" 12-20" No Leg Stand Desired
 Other: _____" Custom charges my apply for lengths over 20"



–Optional Flared Top (not all available with Quick Change Rails - Below)–



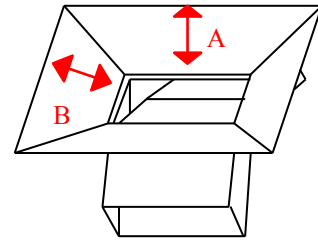
Desired Flare Length:

A: 4" 6" 8" Other _____ "

B: 4" 6" 8" Other _____ "

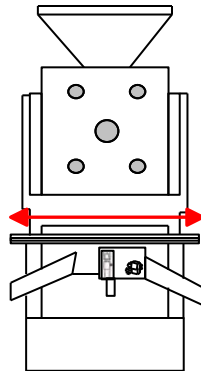
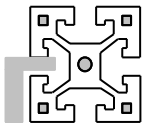
A and B are standardly the same length.

Custom charges may apply for lengths over 8".



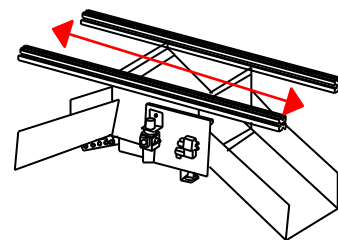
–Optional Quick-Change Rail System–

This system mounts to the press with our "Sliding Track System"



Depth of your Press:

Up to 36" Deep
 Up to 48" Deep

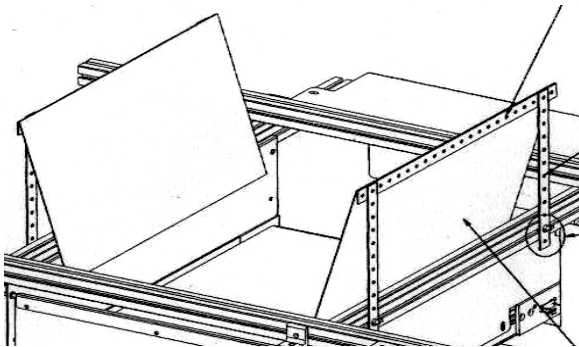


Quick-Change Containment Package

These components are used to create custom part containment. This is designed for the end-user to cut to fit. Includes standard hardware.

- Yes, Please include this package on my Quotation.
 No, I am not interested in this optional package.

Serves as Hopper for the QCRS System



Contact Information

Company Name _____

Contact Person _____

Address _____

City, State, Zip _____

Phone () - ext. _____

Fax () - _____

E-mail _____

**All dimensions must be completed
for a Quote to be given.**

**Please Fax to (815)337-3020 or
E-mail to sales@macautomation.com**