

Quote Information

All dimensions must be completed for a Quote to be given.

Distance Between:

Tie Rods: Horizontal: _____ Vertical: _____

Mold: Horizontal: _____ Vertical: _____

Mold Open (daylight): _____

Quantity _____

Sold individually- not as pairs.

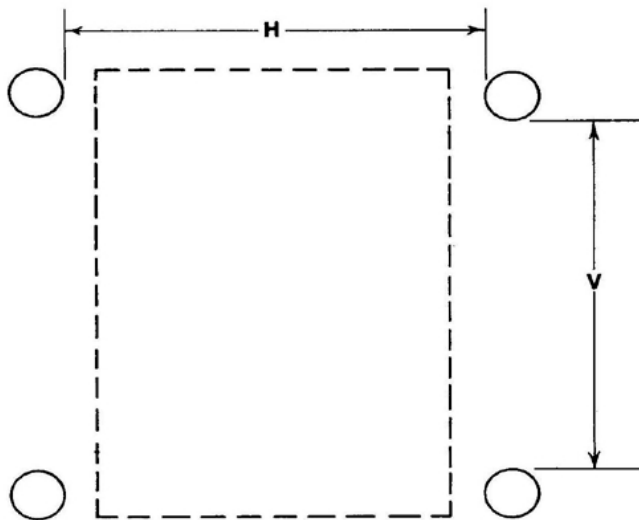
Notes: Side curtains require 3" gap between mold and tie bar. The curtain can only be as long as the tie bar spacing if adequate space does not exist.

Alternative vertical panels are Clear Vinyl to provide visibility to the mold.

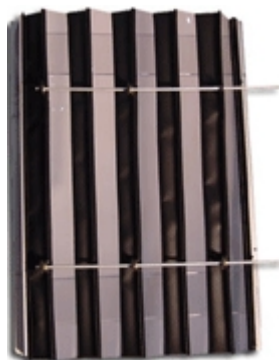
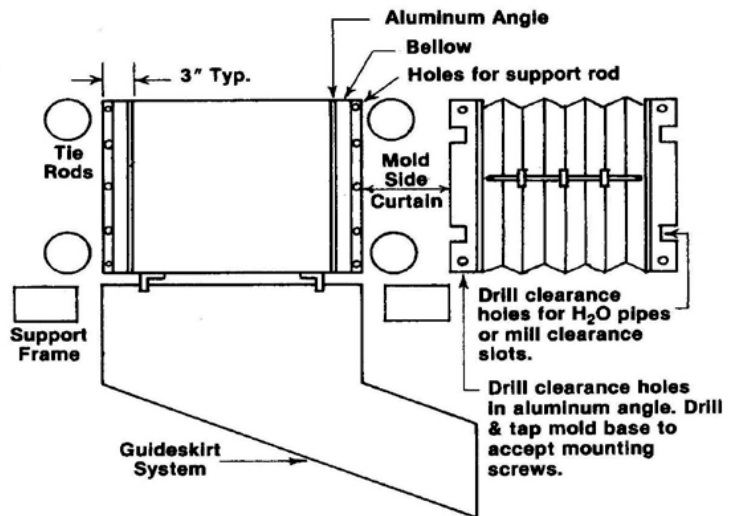
Aluminum angle mounting brackets are designed to attach directly to the mold, not to the platen.

Ensure adequate clearance between waterline fittings on the parting line to allow the curtain to collapse in between when the mold is closed.

Curtain open stroke and curtain length should not exceed 36".



TYPICAL INSTALLATION



Contact Information

Company Name _____
 Contact Person _____
 Address _____

 City, State, Zip _____
 Phone () - _____ ext: _____
 Fax () - _____
 E-mail _____

**Please Fax to (815)337-3020 or
E-mail to sewing@macautomation.com**