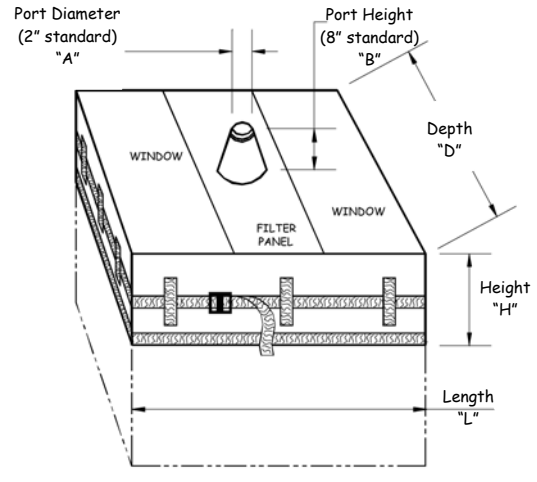


GN Negative Pressure
(Used for Withdrawing)



GP Positive Pressure
(Used for Filling)

All dimensions must be completed for a Quote to be given.

Quote Information

Contact Information

- Are you filling or withdrawing:
 - Filling (GP Positive Pressure)
 - Withdrawing (GN Negative Pressure)
- Cover Specifications:
 - Length (L): _____
 - Width (W): _____
 - Height (H): _____
- Port Specifications:
 - Port Diameter "A" (2" standard): _____
 - Port Height "B" (8" standard): _____
- Specify Color: Blue Khaki (brown)
- Quantity: _____

Company Name _____
 Contact Person _____
 Address _____

 City, State, Zip _____
 Phone _____ () - _____ ext. _____
 Fax _____ () - _____
 E-mail _____

If more custom features are required, please enclose a drawing.

For silk screen items, a copy of printed name and logo must be provided.

**Please Fax to (815)337-3020 or
E-mail to sewing@macautomation.com**