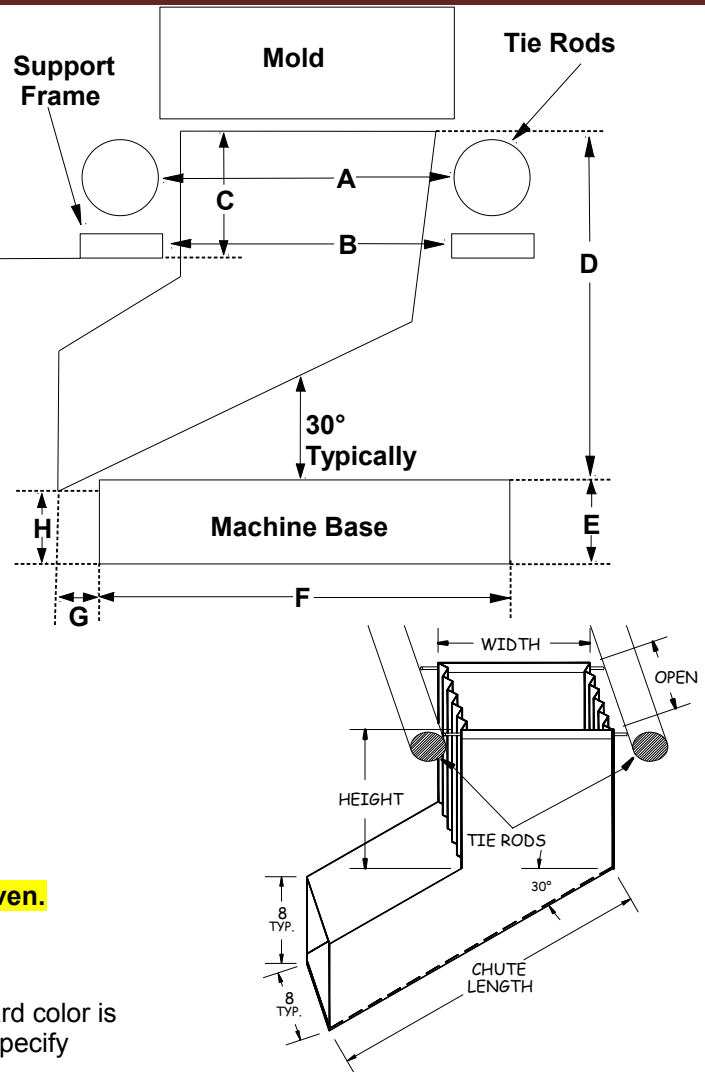


Quote Information

1. Mold Opening (daylight, max is 24"): _____
2. (A) Width between Tie Rods: _____
3. (B) Width between Frame: _____
4. (C) Clearance Height (chute): _____
5. (D) Machine Clearance mold to base: _____
6. (E) Base to floor: _____
7. (F) Width of base: _____
8. (G) Desired extension past base: _____
9. (H) Desired discharge height: _____
10. Size of parts:
Length: _____ Width: _____ Height: _____
11. Runner system: Yes No
12. If yes Runner system, runner size is:
Length: _____ Width: _____ Height: _____
13. Do you require high temp material?
(for parts over 180°) Yes No
14. Quantity: _____



All dimensions must be completed for a Quote to be given.

Note: All guideskirts come with mounting hardware. Standard color is Gray. Yellow can be requested at no extra charge. Please specify when ordering.

Detachable Guideskirt has a Stainless Steel tray on the bottom of the chute with a cushion insert.



Contact Information

Company Name _____
 Contact Person _____
 Address _____

 City, State, Zip _____
 Phone () - _____ ext: _____
 Fax () - _____
 E-mail _____

**Please Fax to (815)337-3020 or
E-mail to sewing@macautomation.com**