

MAC

MODEL STSF PART/RUNNER SEPARATOR

AUTOMATION CONCEPTS

PART/ RUNNER SEPARATOR MANUAL



IMPORTANT! PLEASE READ INSTRUCTIONS CAREFULLY

Failure to install and operate MAC products according to our specified instructions could result in equipment malfunction or serious injury. In addition, your warranty may be void if our instructions have not been followed.

Questions? Call Toll-Free 1-800-435-6979

MAC Automation Concepts, Inc., 1760 Kilkenny Ct., Woodstock, IL 60098

1760 Kilkenny Ct.
Woodstock, IL 60098
Phone: 815-337-3000
Fax: 815-337-3020

Dear Valued Customer,

Congratulations on your purchase of one of MAC's many quality engineered products. We're glad that you have chosen us as your exclusive parts handling equipment supplier.

The first step in getting your machine up and running quickly and easily is to read this instruction manual. In it you will find detailed drawings illustrating the parts and components along with information explaining how to properly use your machine. Please read these instructions carefully before attempting to run your machine.

Your machine is covered by our Limited Warranty. Be sure to read our maintenance schedule for proper care of your machine. If you do experience a problem, please call us toll free at 1-800-435-6979.

Remember to call us for all your replacement part needs! MAC Automation sells all of the products and supplies required to maintain your machine!

Thanks again for choosing MAC Automation Concepts!

Sincerely,

Frank Eltvedt

Frank Eltvedt
President and CEO
MAC Automation Concepts, Inc.

Providing all your Parts Handling Needs!

MAC Automation Concepts, Inc., 1760 Kilkenny Ct., Woodstock, IL 60098

©Copyright 2003 MAC Automation
All rights Reserved

Index

System Information.....	Page 4
System Specifications	
Main System Component Descriptions	
System Overview	
System Startup.....	Page 5
Startup Procedures	
Hooking the System Up	
Set for part/runner separation	
System Maintenance.....	Page 5
Safety Precautions	
Periodic Inspections and Adjustments	
System Reference Drawing.....	Page 6
System Bill of Material.....	Page 7
STSF36 Materials	
System Screw Bill of Material.....	Page 8
System Warranty Period.....	Page 9

SPECIFICATION

- **Modular frame construction**
- **Adjustable stainless steel guard over the top of the rotating helical screw, provides gap adjustment for part size and extends the life of the polyurethane fingers.**
- **Clear LEXAN guard on the back-side of the unit, which allows viewing of separation process.**
- **Stainless steel adjustable angle slide plate, easy access, industrial strength, single point adjustment with side locking mechanism. Adjustment allows for various sized parts and runners.**
- **Machined UHMW Polyethylene helical screw, 24" & 36" long, extends beyond the slide plate, thereby allowing parts or runners proper clearance to exit the unit.**
- **Flight is 2-3/16" long x 3/16" tall - may be modified for applications.**
- **UHMW screw has a Variable speed AC Motor VAR-40-140 RPM.**
- **Removable and polyurethane fingers are included to create tumbling action. The " fingers " are located with a set screw and can be trimmed per application.**
- **Friction clutch provides operator safety through low stall torque.**
- **Adjustable extruded aluminum leg sets with standard 19" min. to 32" max. adjustable height range**
- **Discharge height of bottom of slide tray to floor is 5.25" min. to 16.5" max., less options**
- **(4) four - 4" diameter swivel, polyurethane, non-marking wheels with toe locking casters, provides portability.**
- **Supply power requirements: 110 VAC/60/1 input power**
- **12' power cord with plug**
- **Two year limited warranty**

Operating Instructions

1. Initial Set up

- Uncrate.
- Screw caster/pads to bottom of frame.

2. Power Requirements.

- 115VAC Required for machine operation
- Speed screw is adjustable.

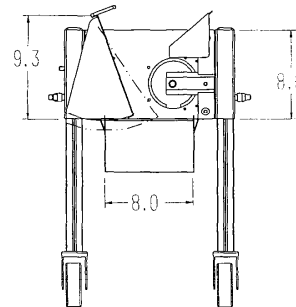
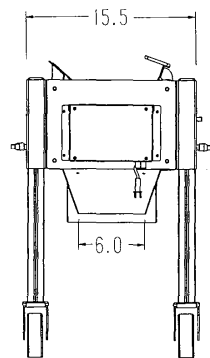
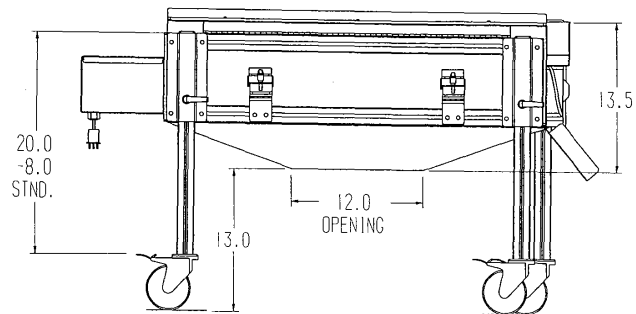
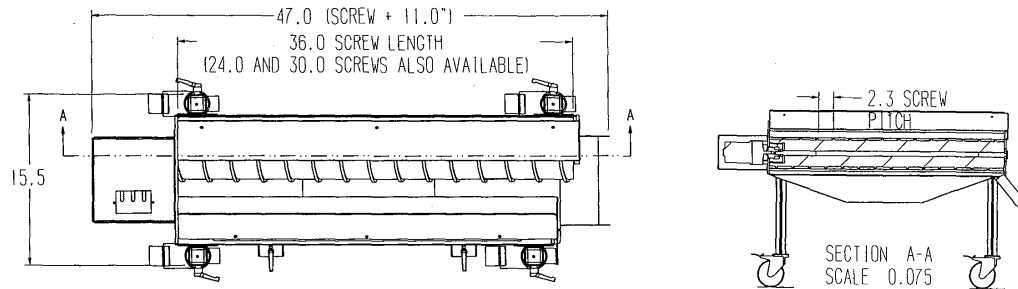
3. Set for part/runner separation.

- The overall height of the unit can be adjustable by turning the handles counter clockwise to the desired height, and then place tighten the handles back in place.
- Stainless steel adjustable angle slide plate, easy access, industrial strength, single point adjustment with side locking , to increase gap between screw and tray.
- Gap should be large enough for the smaller part or runner to fall through while not allowing larger part or runner to slide through.
- Large part/runner will be driven off the end of the separator by pitch of the screw.
- Flexible finger are spaced periodically along the length of the screw to agitate any parts and runners that may be locked together. These fingers can be adjusted to different lengths by loosening its set-screw and pulling or pushing the finger until it is the desired length. Then tighten by setscrew.
- The angle of the tray may be adjusted to increase efficiency of the unit as well. Two lock-down handles are located under tray. Loosen these handles, adjust to desired angle and then tighten handles.

4. Maintenance.

- **No motor maintenance is required. The gear-motor and bearings are lubricated for life and sealed by the manufacture. Disassembly of the gear-motor is not recommended and will void the warranty.**
- **Periodic Inspections and Adjustments**
Cords: Visually check for excessive wear replace as necessary. Following all safety Procedures during replacement.
- **For replacement parts please consult the factory.**

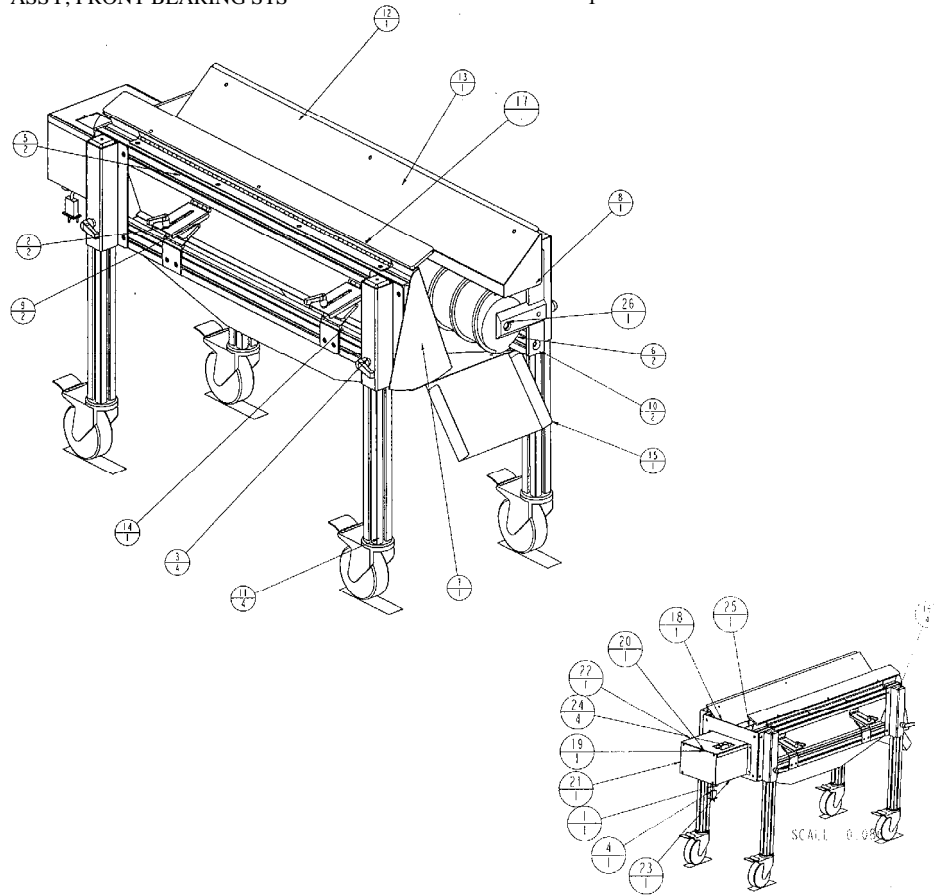
Reference Drawing



MAC Automation Concepts, Inc., 1760 Kilkenny Ct., Woodstock, IL 60098

©Copyright 2003 MAC Automation
All rights Reserved

Item	part#	Description	Qty
1.	0177	1/C LRG CORDGRIP	1
2.	6352	KEL, 48100, PLASTIC, ADJ HNDL	2
3.	8024	KEL, 48149, PLASTIC, ADJ. HNDL	4
4.	00039883	CORD, BLK, 12'L SJTO, 18/3 W/PLUG	1
5.	00043564	FRAME EXTRUSION, LEFT, STSF-36	2
6.	00043565	FRAME EXTRUSION, RIGH, STSF-36	2
7.	00043569	WLDMT, INFEEED TRAY, STS-F 36L	1
8.	00043575	LEXAN SIDE COVER, STSF-36L	1
9.	00043578	WLDMNT, INFEEED TRAY SUPPORT, STSF	2
10.	00043582	FRAME END PLATE, STSF	2
11.	00043584	ASSY, STRAIGHT LEG, LS3	4
12.	00043586	MOUNT PLASTE, ADJUSTABLE TRAY, STSF36	1
13.	00043587	WLDMNT, ADJ TRAY STSF36	1
14.	00043590	WLDMNT, HOPPER, STSF 36	1
15.	00043595	STSF DT, DISCHARGE TRAY	1
16.	00045205	WLDMT, LEG BRACKET, STSF PLTD	4
17.	00046760	ADJ TRAY LEXAN SHIELD, STSF	1
18.	00047402	MOTOR MOUNT PLATE, STSF	1
19.	00047841	ORI GEARBOX 5GN9KA	1
20.	00047842	ORI MTR US540-40IU	1
21.	45301411	STS MOTOR GUARD RAP	1
22.	45301413	STS MOTOR GUARD TOP	1
23.	45301415	STS MOTOR GUARD BOTTOM	1
24.	45302304	STS INLINE STANDOFF	4
25.	45305002	ASSY, 36L SCREW Z-MAX TORQUE LIMIT	1
26.	45305003	ASSY, FRONT BEARING STS	1

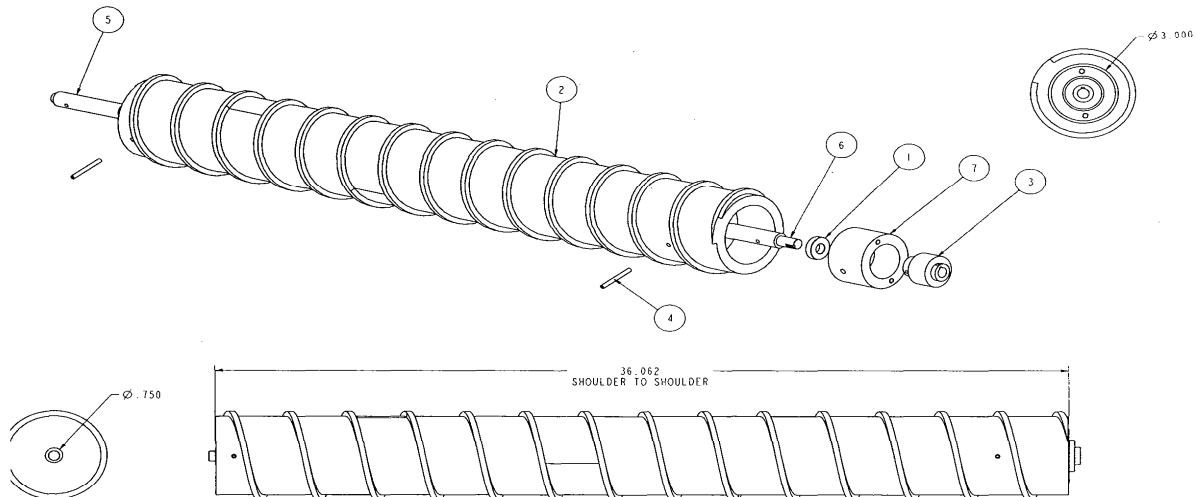


MAC Automation Concepts, Inc., 1760 Kilkenny Ct., Woodstock, IL 60098

©Copyright 2003 MAC Automation
All rights Reserved

Screw Bill of Materials

Item	Part #	Description	Qty.
1.	00047296	NSK, BEARING, R8ZZVV, 1/2 ID X 1	1
2.	00047403	UHMW SCREW R/H ROT'N STSF 36	1
3.	00047405	ZMAX TORQUE TENDER 15LB 1/2X1/2	1
4.	00047106	SPRING PIN, 3/16 IN X 1.75 IN Long	2
5.	45302302	STS IDLE SHAFT	1
6.	45302033	STS DRIVE IN-LINE SHAFT	1
7.	45302305	STS INSIDE BOSS COLLAR	1



MAC Automation Concepts, Inc., 1760 Kilkenny Ct., Woodstock, IL 60098

©Copyright 2003 MAC Automation
All rights Reserved

Two Year Limited Warranty

Molding Automation Concepts, Inc. warrants all products manufactured by it to be free of defects in workmanship and materials when used under normal operating conditions. Use or service with abrasive or corrosive chemicals or materials or in a corrosive or abrasive atmosphere shall not be deemed normal. This warranty shall be in effect for a period of twenty-four months from date of purchase. Molding Automation Concepts obligation under this warranty is limited to repairing at Molding Automation Concepts factory or furnishing a replacement for any part, or correcting any workmanship, which shall be demonstrated to Molding Automation Concepts satisfaction to have been defective at the time of delivery and with respect to which a written claim specifying the particular defect or defects shall have been delivered to Molding Automation Concepts within two (2) years from the date of delivery to the original purchaser.

No other warranty whether express or implied (including any warranty of merchantability of fitness) shall exist in connection with the sale or use of any Molding Automation Concepts products.

Molding Automation Concepts liability under this warranty shall be solely limited to repair or replacement of Molding Automation Concept's product within the warranty period and Molding Automation Concepts shall not be liable, under any circumstances for any consequential, incidental, direct, special, indirect, damages or expenses associated with warranted products including, without limiting the generality of the foregoing, liability for loss of production, or any damages to person or property.

Molding Automation Concepts, Inc. does not warrant equipment manufactured by other, but will submit the manufacture's warranty to purchase upon request.

Molding Automation Concepts will make no allowance for repairs, alterations or other work done unless specifically agreed to in writing, Purchaser agrees that purchaser's sole remedy for liability of any kind, including negligence with respect to the equipment and services furnished by Molding Automation Concepts shall be limited to the remedies provided herein.



MAC Automation Concepts, Inc., 1760 Kilkenny Ct., Woodstock, IL 60098

©Copyright 2003 MAC Automation
All rights Reserved