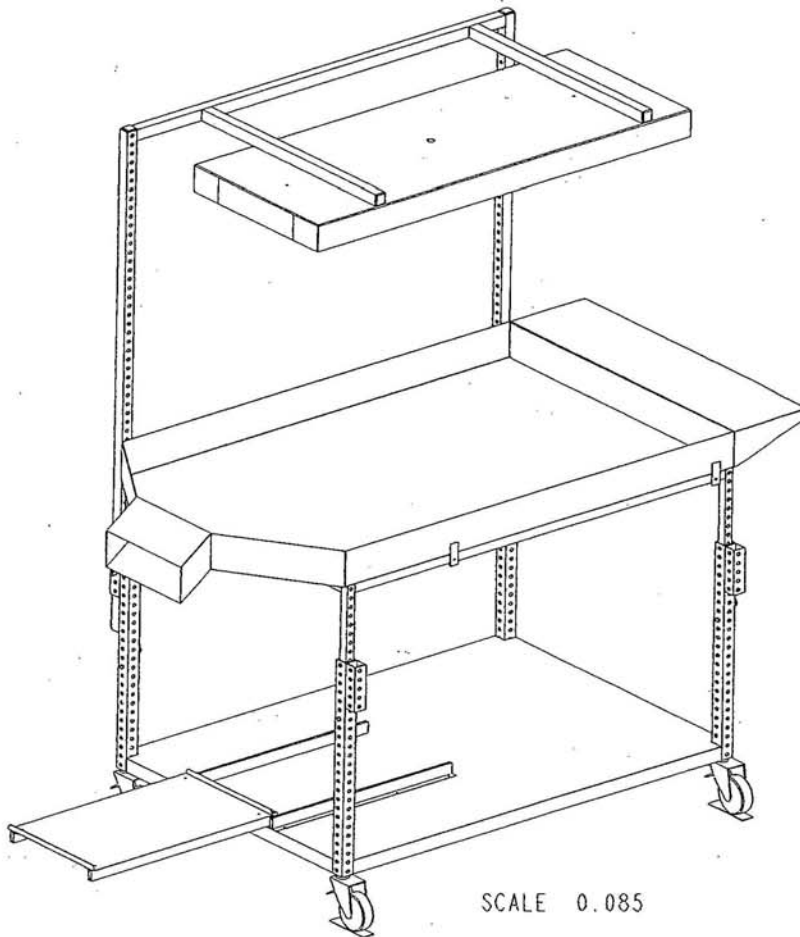


MAC

AUTOMATION CONCEPTS

1760 KILKENNY COURT, WOODSTOCK, IL 60098 815-337-3000 FAX 815-337-3020

OWENER'S INFORMATION MANUAL



SCALE 0.085



1760 KILKENNY COURT, WOODSTOCK IL 60098 815-337-3000 FAX 815-337-3020

IT01: 4' long x 24" wide, custom designed and built inspection table. Features high polished 304 stainless steel top with a discharge chute, which narrows to a 9" (+ / -) throat area. Includes painted steel frame and telescoping legs. Also includes a fluorescent light with standard cord and plug.

Features:

- Durable 13 gauge welded steel construction
- Lighted work area mounted on work structure
- One fluorescent light fixture.
- 110 / 60 / 1ph power for light.
- Telescoping legs, range of adjustment to be from 36-42"
- (4) Two-way, toe-locking, casters with 4" diameter, non-marking, polyurethane wheels
- 304 stainless steel top with 5" deep pan and straight discharge tray at end
- Painted **MAC** metallic silver
- One year entire system warranty

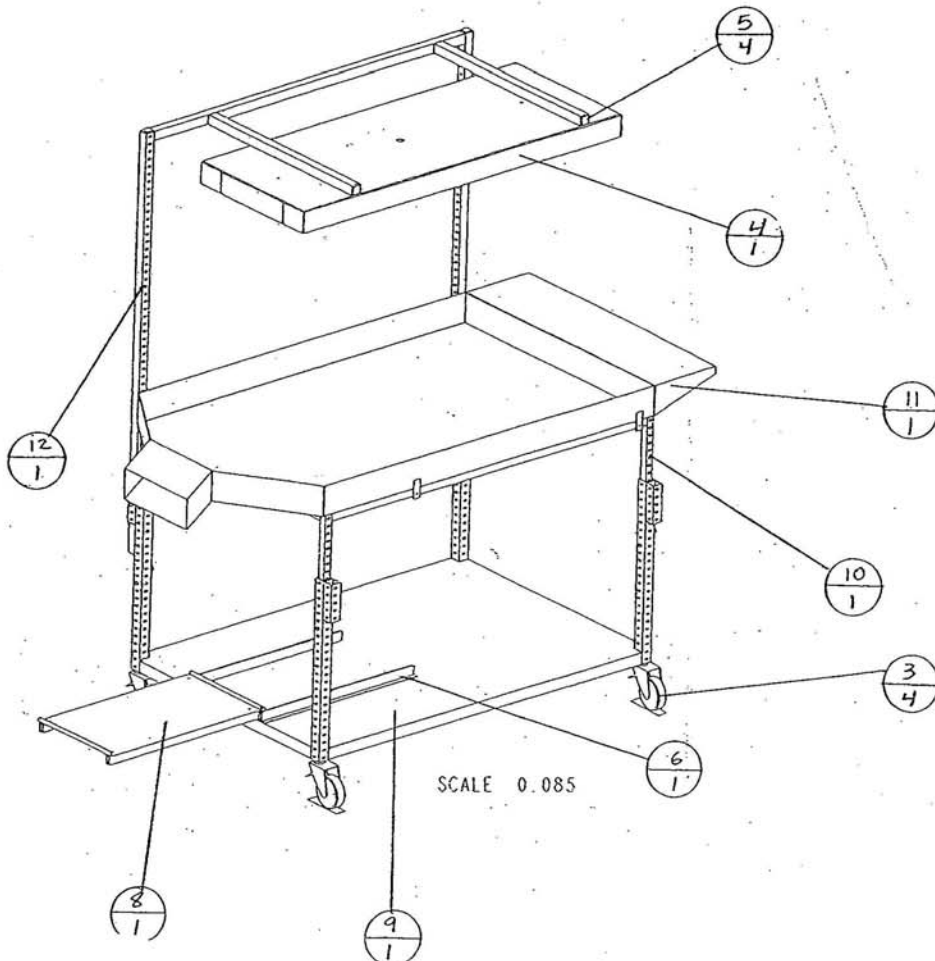
APPLICATION OPTIONS

MAC

AUTOMATION CONCEPTS

1760 KILKENNY COURT, WOODSTOCK, IL 60098 815-337-3000 FAX 815-337-3020

ITEM	PART #	TYPE	DESCRIPTION	MATERIAL	FS# MATERIAL	QTY.
1	00000095	PART	CLIP, SPRING, 3/32 X 2	CRS	N/A	6
2	00000096	PART	PIN, CLEVIS, 2 X 3/8	CRS	N/A	6
3	00000127	PART	CASTER, PAYSON, 054-4BF	N/A	N/A	4
4	00000540	PART	FIXTURE, METALUX, 12X48, 2, G440A120VLE3	N/A	N/A	1
5	00007661	PART	CAP, PLASTIC, 1.25IN, SQUARE TUBE	PLASTIC	N/A	4
6	00008333	PART	MCM HD BTM/FLR MNT DRAWER SLD. 15765A16	ASSY	N/A	1
7	53461409	PART	FIXTURE PLATE	14GA CRS	0005	1
8	53461410	PART	SHELF PLATE	12GA SS	4739	1
9	53463001	ASSEMBLY	WLDMNT, LOWER FRAME	CRS WLDMNT	N/A	1
10	53463002	ASSEMBLY	WLDMNT, UPPER FRAME	CRS WLDMNT	N/A	1
11	53463003	ASSEMBLY	WLDMNT, TOP TABLE	SS WLDMNT	N/A	1
12	53463005	ASSEMBLY	WLDMNT, FIXTURE SUPPORT	CRS WLDMNT	N/A	1



Two Year Limited Warranty

Molding Automation Concepts, Inc. warrants all products manufactured by it to be free of defects in workmanship and materials when used under normal operating conditions. Use or service with abrasive or corrosive chemicals or materials or in a corrosive or abrasive atmosphere shall not be deemed normal. This warranty shall be in effect for a period of twenty-four months from date of purchase. Molding Automation Concepts' obligation under this warranty is limited to repairing at Molding Automation Concepts factory or furnishing a replacement for any part, or correcting any workmanship, which shall be demonstrated to Molding Automation Concepts satisfaction to have been defective at the time of delivery and with respect to which a written claim specifying the particular defect or defects shall have been delivered to Molding Automation Concepts within two (2) years from the date of delivery to the original purchaser.

No other warranty whether express or implied (including any warranty of merchantability or fitness) shall exist in connection with the sale or use of any Molding Automation Concepts product.

Molding Automation Concepts liability under this warranty shall be solely limited to repair or replacement of Molding Automation Concept's product within the warranty period and Molding Automation Concepts shall not be liable, under any circumstances for any consequential, incidental, direct, special, indirect damages or expenses associated with warranted products including, without limiting the generality of the foregoing, liability for loss of production, or any damages to person or property.

Molding Automation Concepts, Inc. does not warrant equipment manufactured by others, but will submit the manufacturer's warranty to purchase upon request.

Molding Automation Concepts will make no allowances for repairs, alterations or other work done unless specifically agreed to in writing. Purchaser agrees that purchaser's sole remedy for liability of any kind, including negligence with respect to the equipment and services furnished by Molding Automation Concepts shall be limited to the remedies provided herein.

