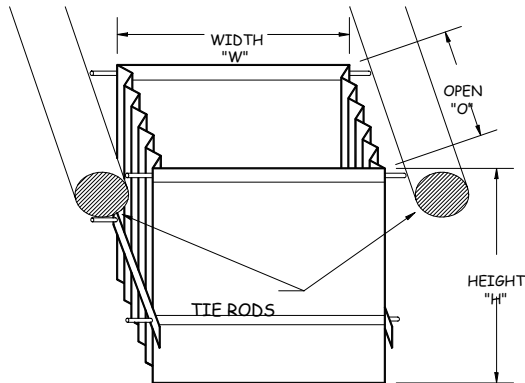
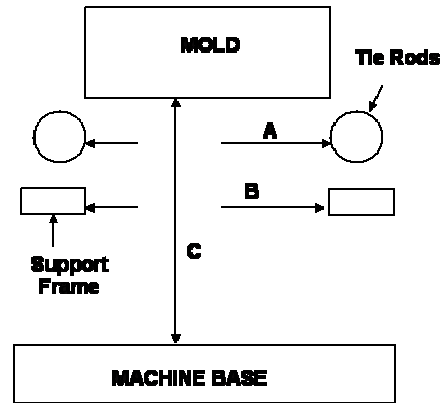




The Expert in "Parts Management Systems"

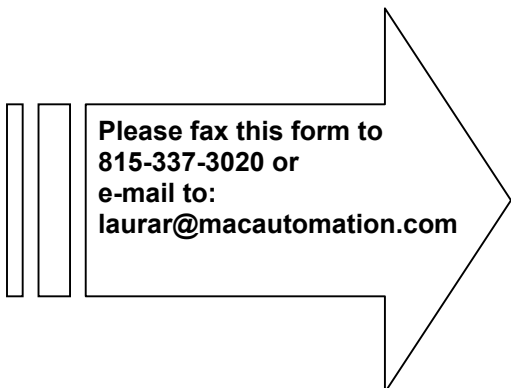
### Straight Guideskirt – Quote Request Form

1. Mold Opening (daylight): \_\_\_\_\_
2. (A) Width between Tie Rods: \_\_\_\_\_
3. (B) Width between Frame: \_\_\_\_\_
4. (H) Desired height of guideskirt: \_\_\_\_\_
5. Do you require high temp material (for parts over 180°):  No  Yes
6. Quantity: \_\_\_\_\_



**ALL dimensions must be completed in order for a Quote to be given.**

All guideskirts come with mounting hardware. Hardware includes straight brackets (for attaching to side of mold) and right angle brackets (for mounting below the mold).



Company Name \_\_\_\_\_

Contact Person \_\_\_\_\_

Address \_\_\_\_\_

City, State, Zip \_\_\_\_\_

Phone, Fax ( ) - , ( ) - \_\_\_\_\_

E-mail @ \_\_\_\_\_