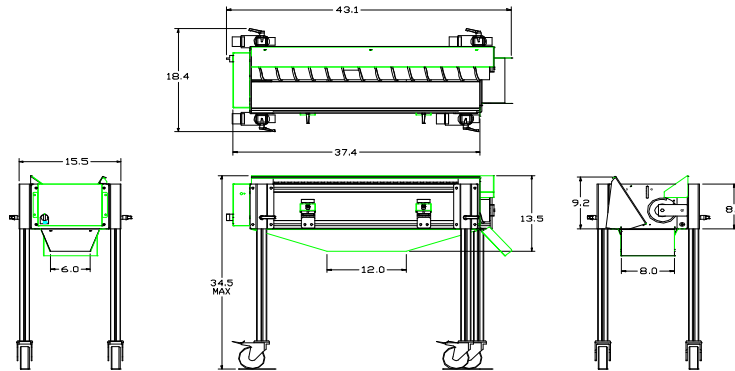




The Expert in "Parts Management Systems"

Screw Type Separator – Quote Request Form



- Parts -

What are the part deminsions: Width: _____, Length: _____, Height: _____, Diameter: _____

Shape Of Parts?: Square Rectangular Spherical Cylinder Circular Other: _____

Your Part Numbers or Names of Parts: Name: _____, #: _____

Where are the parts being delivered to?: _____

- Runners -

What are the runner dimensions?: Width: _____, Length: _____, Height: _____, Diameter: _____

Shape Of Runners?: Square "X" "H" Circular Other: _____

Where are the runners being delivered to?: _____

- Additional Information -

What is the number of cavities in the mold?: Shot: _____, Count: _____

What is the temperature of the part and runner at time of ejection?: _____ °F

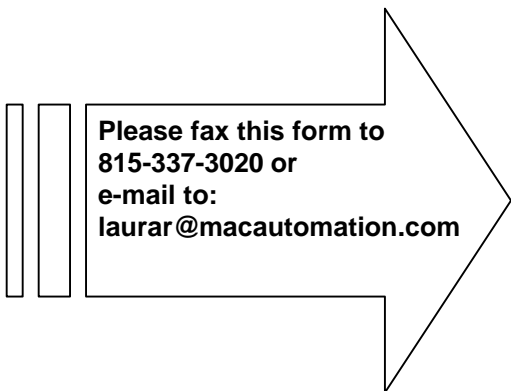
Mold cycle time?: _____ Seconds as an average, Fastest cycle is _____ seconds.

In a 24Hr. day, how long is the expected usage of this Separator?: _____ Hours.

Are pictures or a video available? Yes No **Can you send in parts if requested?:** Yes No

If a box is being used to catch parts/runners, what is the size?: Width: _____, Length: _____, Height: _____

Addition Options continues on the next page -



Company Name _____

Contact Person _____

Address _____

City, State, Zip _____, _____, _____

Phone, Fax () - , () - _____

E-mail _____@_____



- Additional Options -

What length would you prefer the Separator to be?: 24" 36"

(Please select any of the below added options available that you would like to be quoted on)

Yes	No	Options	Description	Available on 24" Models	Available on 36" Models
<input type="checkbox"/>	<input type="checkbox"/>	VS-ST5-E	Adjustable speed DC motor & controller	YES	YES
<input type="checkbox"/>	<input type="checkbox"/>	IFC-12-08	In-feed chute, Stainless Steel 12" Long x 26" x 8"	YES	YES
<input type="checkbox"/>	<input type="checkbox"/>	PF-36-12	Part funnel, Stainless Steel 36" x 12 x 4.8" bolts on	No	YES
<input type="checkbox"/>	<input type="checkbox"/>	PF-24-12	Part funnel, Stainless Steel 24" x 12 x 4.8" bolts on	YES	No
<input type="checkbox"/>	<input type="checkbox"/>	PC-06-12	Part/Runner Chute, Stainless Steel, 6" Long x 12" Wide.	YES	YES
<input type="checkbox"/>	<input type="checkbox"/>	FDC-24-24	Front discharge chute, stainless, 24" Long x 24" Wide.	YES	No
<input type="checkbox"/>	<input type="checkbox"/>	FDC-36-36	Front discharge chute, stainless, 24" Long x 36" Wide.	No	YES
<input type="checkbox"/>	<input type="checkbox"/>	EL- _____'	Extra length leg supports (Specify length in feet).	YES	YES

- Additional Questions -

What style of a conveyor is expected to be used for the application? Please describe:

Are there any interference points with the application? Please describe:

Do the parts require any kind of conditioning? Please describe:

Does the application require a new part feed conveyor? Please describe:

What style of a conveyor is expected to be used for the application? Please describe:

- Additional Comments -
