



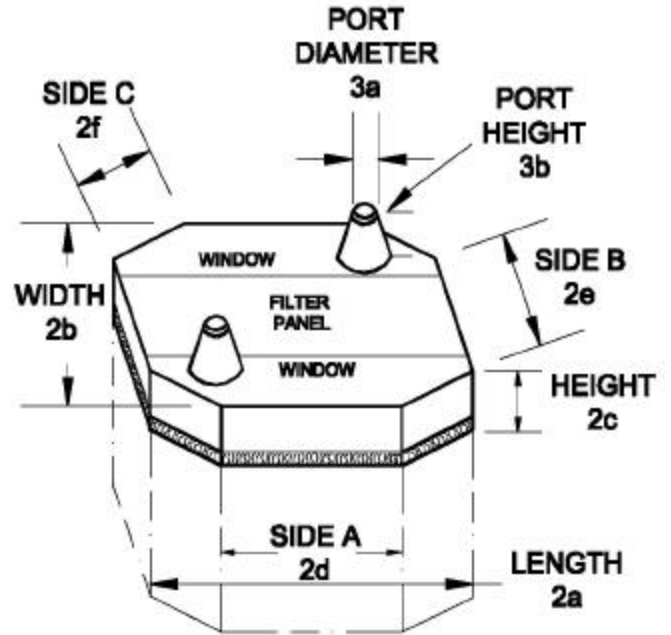
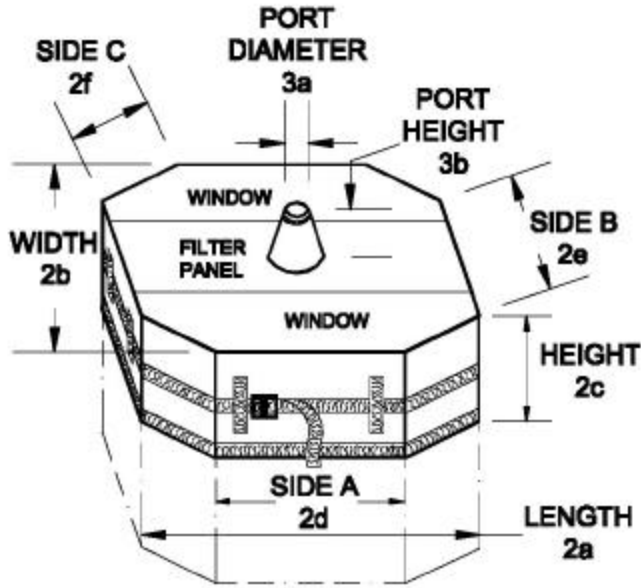
Quote Request Form for Octagon Gaylord Covers

GP Octagon Style

Used for Filling Material on Positive Pressure Applications.

GN Octagon Style

Used for Withdrawing Material on Negative Pressure Applications.



1. Are you Filling or Withdrawing Material?
2. Size Specifications: a) Length: _____ b) Width: _____ c) Height (10" is the standard): _____
d) Side A: _____ e) Side B: _____ f) Side C: _____
3. Port Specifications: a) Port Height (8" is the standard): _____ d) Port Diameter: _____
4. Specify Color: Blue Brown
5. Quantity: _____

If more custom features are required, please enclose a drawing.

For silk screen items, a copy of printed name and logo must be provided.

To Receive a Quote Please Complete Form and Fax to 815-337-3020 or Email sales@macautomation.com

Name: _____

Company: _____

Address: _____

City: _____ State: _____ Zip: _____

Phone: _____ Fax: _____ Email: _____