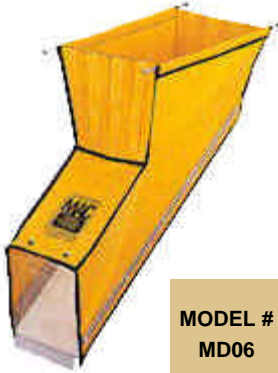


THE EXPERT IN "PARTS MANAGEMENT SYSTEMS"

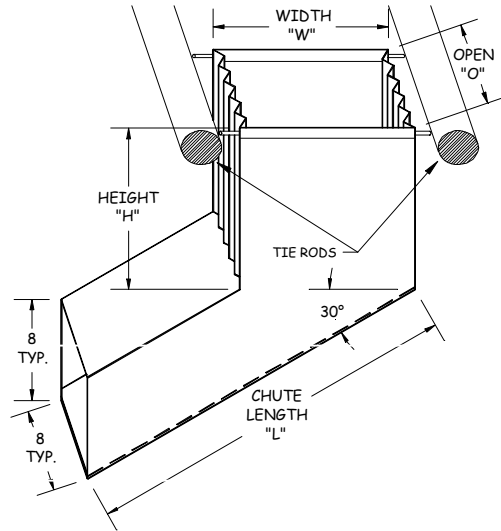
Guideskirts

Detachable Chute Guideskirt



Detachable Chute Guideskirt with Cushion Insert is Specifically designed to transfer molded parts by gravity from under the machine to a conveyor or container. A stainless steel tray with a soft cushion insert included decreasing part

MODEL #	OPEN	WIDTH	HEIGHT	CHUTE LENGTH	PRICE
MD06	6"	12"	8"	24"	\$128.37
MD16	12"	18"	10"	30"	\$137.71
MD26	18"	22"	12"	34"	\$151.71
MD36	18"	26"	14"	38"	\$164.54
MD46	18"	30"	16"	42"	\$182.05

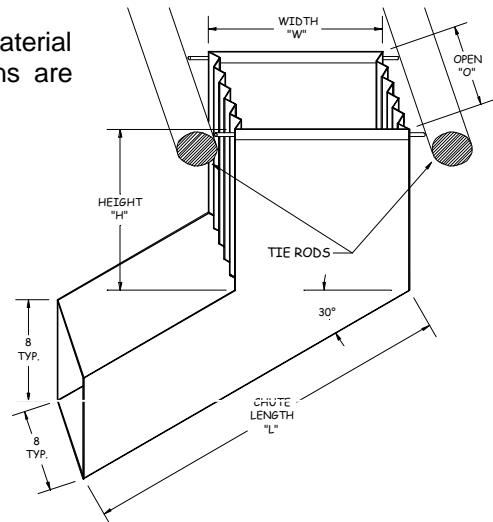


Soft Chute Guideskirt

Soft Chute Guideskirt are Made of soft, pliable, abrasion resistant material to protect delicate parts from surface damage. Typical applications are conical or spherical shaped small parts below 200 degrees.



MODEL #	OPEN	WIDTH	HEIGHT	CHUTE LENGTH	PRICE
MS07	6"	12"	8"	24"	\$87.55
MS17	12"	18"	10"	30"	\$96.82
MS27	18"	22"	12"	34"	\$107.36
MS37	18"	26"	14"	38"	\$117.86
MS47	18"	30"	16"	42"	\$127.21



Available Options:

Hi-Temp material for thermoset parts - Teflon Coated Kevlar 10 mil. Is used when parts ejected from the mold retain heat in excess of 300 degrees. (Note: Hi-Temp material is usually not required for thermoplastic parts that are cooled prior to release from the mold)

Performance Features:

- Waterproof
- Impervious to oil and grease



1760 Kilkenny Court
Woodstock, IL 60098
Phone: 815-337-3000
Fax: 815-337-3020
E-mail: sales@macautomation.com
www.macautomation.com

Metal Side Plates:

- Provide rigidity and extended life to Guideskirts
- Available in 26 ga. Stainless steel or .025" thick aluminum
- Can be mounted to the inside or outside of the Guideskirt system

Magnets:

- Part No. MAG01
- 2 3/4" Dia by 3/8" thick 70# pull force

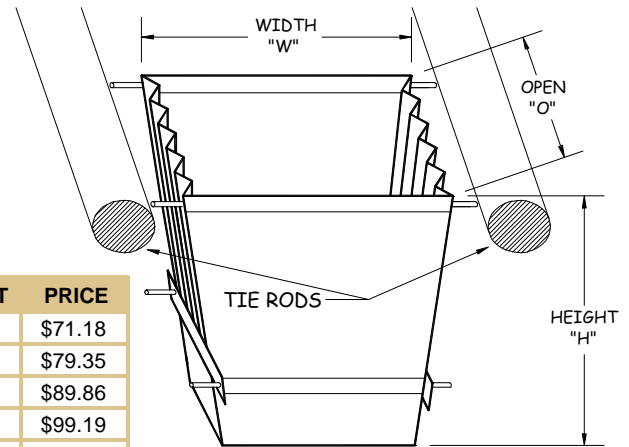
THE EXPERT IN "PARTS MANAGEMENT SYSTEMS"

Tapered Guideskirt

The Standard Tapered Guideskirt's design allows parts to funnel or align below the mold for ease of packaging or secondary processing. Fabric can be easily cut to permit front, rear, and side or bottom release in conjunction with conveyor.



MODEL #	OPEN	WIDTH	HEIGHT	PRICE
MTP01	6"	12"	18"	\$71.18
MTP11	12"	18"	18"	\$79.35
MTP21	18"	22"	26"	\$89.86
MTP31	18"	26"	26"	\$99.19
MTP41	18"	30"	26"	\$109.70

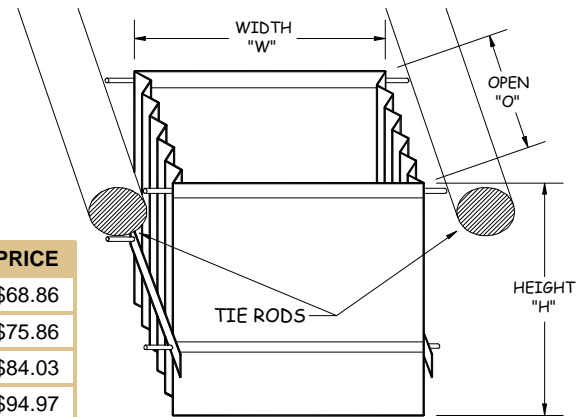


Straight Guideskirt

The Standard Straight Guideskirt is ideal for guiding large parts or runners from the mold to a receiving source directly below the mold. Multiple units can be used to guide parts & runners to a desired location.

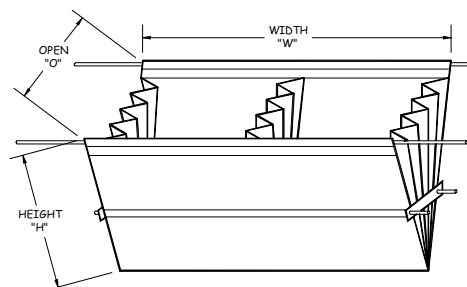
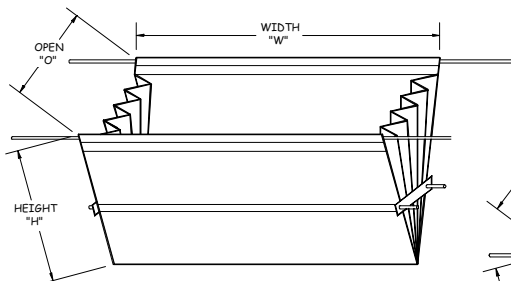


MODEL #	OPEN	WIDTH	HEIGHT	PRICE
MST02	6"	12"	18"	\$68.86
MST12	12"	18"	18"	\$75.86
MST22	18"	22"	26"	\$84.03
MST32	18"	26"	26"	\$94.97
MST42	18"	30"	26"	\$106.19



Delayed Drop Guideskirt

Delayed Drop Guideskirt - This guideskirt system mounts directly onto the mold and is actuated by the opening and closing of the molding machine. *It is a custom made Guideskirt. Please use the form for quote request.*



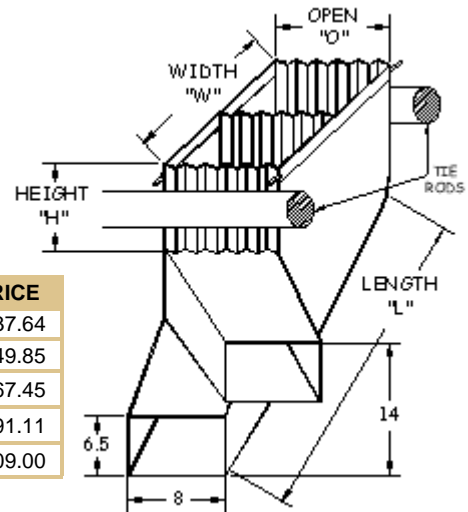
THE EXPERT IN "PARTS MANAGEMENT SYSTEMS"

Cross Over Guideskirt



Dual Soft Chute Guideskirt (Cross Over Style) -
This unique design allows parts already separated in the mold to remain apart while directing them to the front of the machine without contamination, loss or damage.

MODEL #	OPEN	WIDTH	HEIGHT	LENGTH	PRICE
COS01	6"	12"	8"	24"	\$237.64
COS02	12"	18"	10"	30"	\$249.85
COS03	18"	22"	12"	35"	\$267.45
COS04	18"	26"	14"	38"	\$291.11
COS05	18"	30"	16"	42"	\$309.00

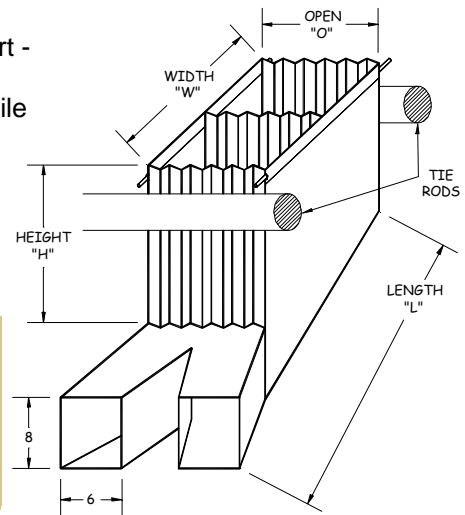


Side by Side Detachable Chute Guideskirt



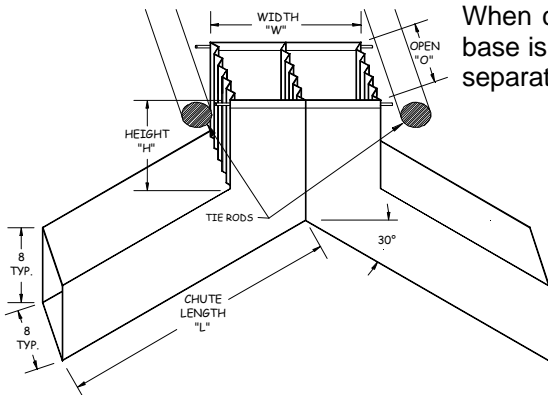
Side by Side Detachable Chute Guideskirt -
This unique design allows parts already directing them to the front of the machine without contamination, loss or damage.

MODEL #	OPEN	WIDTH	HEIGHT	LENGTH	PRICE
SBS01	6"	12"	14"	24"	\$332.69
SBS02	12"	18"	16"	30"	\$349.79
SBS03	18"	22"	18"	35"	\$374.43
SBS04	18"	26"	20"	38"	\$407.55
SBS05	18"	30"	22"	42"	\$432.60



Front/Rear Exit Guideskirt

Dual Soft Chute Guideskirt - Front/Rear Exit -
When clearance between the machine frame and base is limited this chute offers the solution to part separation on family molds where applicable.

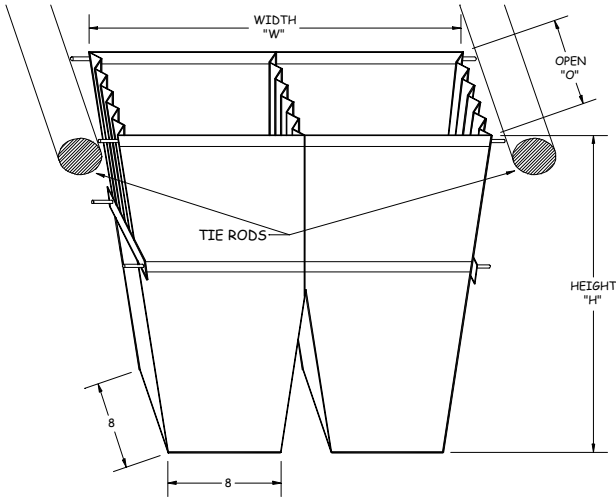


MODEL #	OPEN	WIDTH	HEIGHT	LENGTH	PRICE
FR01	6"	12"	8"	18"	\$207.94
FR02	12"	18"	10"	22"	\$225.76
FR03	18"	22"	12"	24"	\$243.60
FR04	18"	26"	14"	26"	\$261.41
FR05	18"	30"	16"	28"	\$279.23

THE EXPERT IN "PARTS MANAGEMENT SYSTEMS"

Split Leg Guideskirt

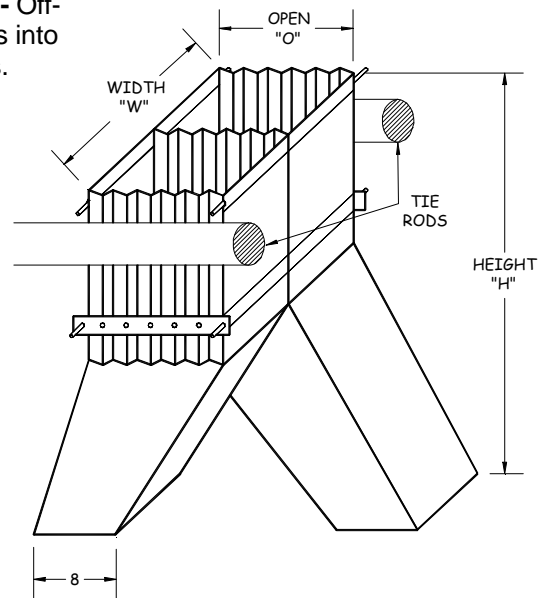
Split Leg Separation Guideskirt - Very inexpensive means of maintaining part separation from the mold to receptacles directly below the mold.



MODEL #	OPEN	WIDTH	HEIGHT	PRICE
SL08	6"	12"	18"	\$105.88
SL18	12"	18"	18"	\$111.82
SL28	18"	22"	26"	\$123.70
SL38	18"	26"	26"	\$135.48

Walking Split Leg Guideskirt

Walking Split Leg Guideskirt - Offset legs permit directing parts into separate lanes on conveyors.



MODEL #	OPEN	WIDTH	HEIGHT	PRICE
WSL01	6"	12"	18"	\$145.13
WSL02	12"	18"	20"	\$151.07
WSL03	18"	22"	22"	\$162.96
WSL04	18"	26"	24"	\$174.83

Quantity Discounts

01-10	List Price
11-20	less 5%
21-50	less 9%
51+	less 11%

Prices subject to change without notice.

NOTE: All Guideskirts come with Mounting Hardware. Standard color is gray, yellow must be requested.

**ALL GUIDESKIRTS CAN BE
CUSTOM MADE!**

✦ 1760 Kilkenny Ct.
Woodstock, IL 60098

✦ Ph: 815-337-3000
✦ Fx: 815-337-3020

✦ sales@macautomation.com
✦ www.macautomation.com