

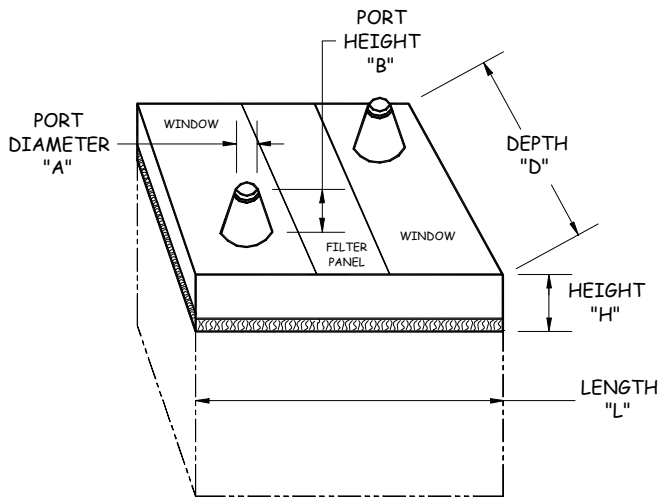


The Expert in "Parts Management Systems"

Gaylord Filter Covers – Quote Request Form

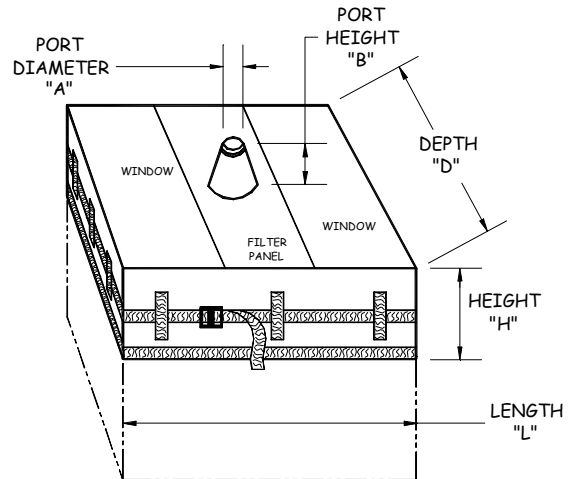
GN Style

Used for Withdrawing Material on Negative Pressure Applications.



GP Style

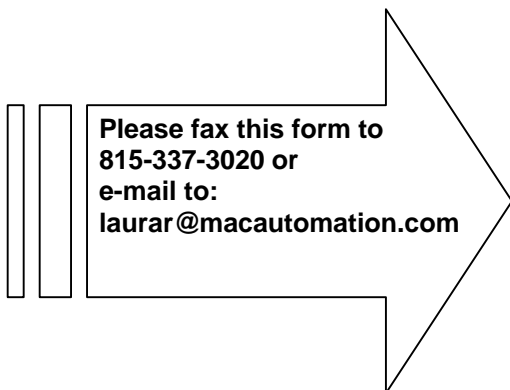
Used for Filling Material on Positive Pressure Applications.



1. Are you Filling (GP) or Withdrawing (GN) Material?
2. Size Specifications: Length (L): _____ Depth (D): _____ Height (H) **10" standard:** _____
3. Port Specifications: Port Diameter (A): _____ Port Height (B) **8" is the standard:** _____
4. Specify Color: Blue Brown
5. Quantity: _____

If more custom features are required, please enclose a drawing.

For silk screen items, a copy of printed name and logo must be provided.



Company Name _____
 Contact Person _____
 Address _____
 City, State, Zip _____, _____,
 Phone, Fax () - , () - _____
 E-mail _____@_____