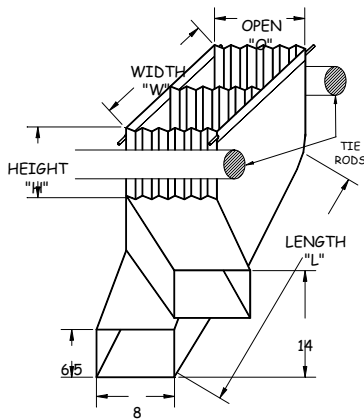
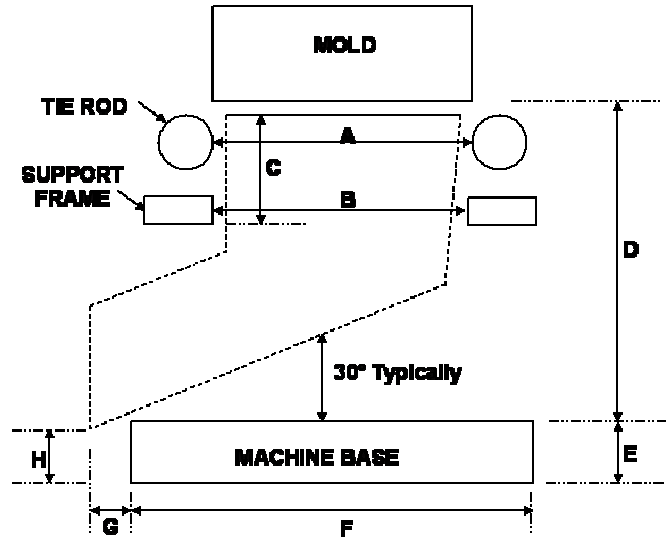




The Expert in "Parts Management Systems"

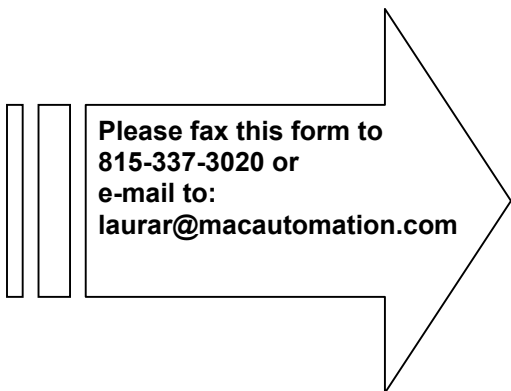
Crossover Chute Guideskirt – Quote Request Form

1. Mold Opening (daylight): _____ (max is 24")
2. (A) Width between Tie Rods: _____
3. (B) Width between Frame: _____
4. (C) Clearance Height (chute): _____
5. (D) Machine Clearance mold to base: _____
6. (E) Base to floor: _____
7. (F) Width of base: _____
8. (G) Desired extension past base: _____
9. (H) Desired discharge height: _____
10. Size of parts: _____ L x _____ W x _____ H
11. Runner system: No Yes
12. Size: _____
13. Do you require high temp material (for parts over 180°): No Yes
14. Quantity: _____



ALL dimensions must be completed in order for a Quote to be given.

All guideskirts come with mounting hardware. Hardware includes straight brackets (for attaching to side of mold) and right angle brackets (for mounting below the mold).



Please fax this form to
815-337-3020 or
 e-mail to:
laurar@macautomation.com

Company Name _____

Contact Person _____

Address _____

City, State, Zip _____, _____, _____

Phone, Fax () - , () - _____

E-mail _____@_____